

LIGHT ENGINE COB UVC 4 LEDS 24X19X1MM 320MW

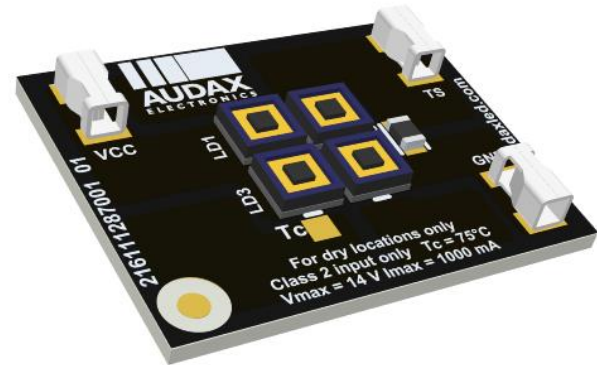
Issue Date	October, 2023
Issued by	Nascimento, K.

Applications

- Sterilization and purification

Characteristics

- UV type: UV-C
- Wavelength 270nm – 280nm
- Efficacy - up to 4.2%
- 05 years warranty



DRIVING CURRENTS

Parameter	Nominal	Max
Input Driving Current	700 mA	1,000 mA

ELECTRICAL PARAMETERS

Parameter	Typical Value	Units
I	700	mA
V _{f,board}	14	V

MODULE TEMPERATURES

Parameter	Nominal	Max (on T _c)
T _c (temperature at T _c point)	25°C	70°C

PRODUCT PART NUMBER

80574000100

LIGHT ENGINE COB UVC 4 LEDS 2P2S 24X19X1MM 320MW

TECHNICAL INFORMATION

UV Type	Wavelength (nm)	#LEDs	Forward Current (mA)	Rad. Power* (mW)	Forward Voltage (V)	Power (W)	T _j (°C)	Efficacy (%)**
UV-C	270-280nm	4	200	96	11.4	2.3	25	4.2
			700	320	11.8	8.3	25	3.9
			1,000	432	12.2	12.2	25	3.5

*The specific radiant power of the LEDs may vary ± 7%.

**Efficacy relates the electrical power consumed to the radiant power emitted

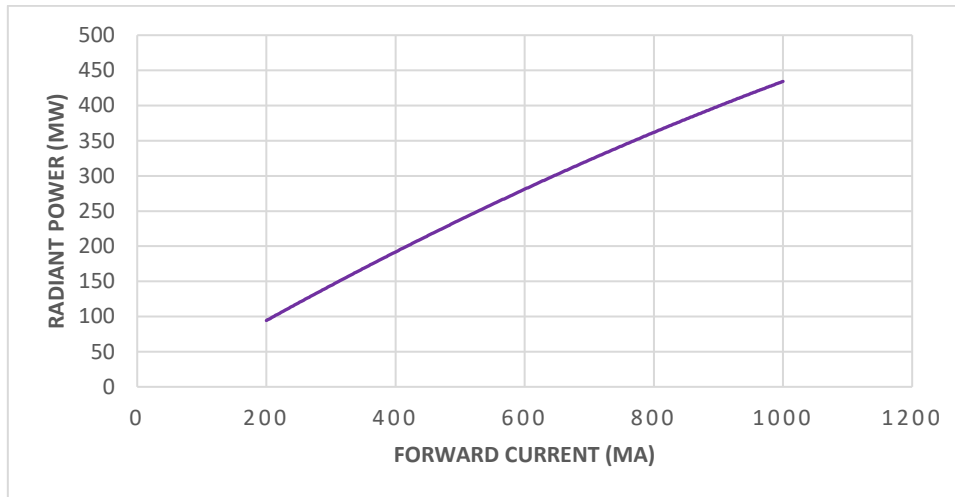
LED TYPE

Manufacturer: CrayoNano

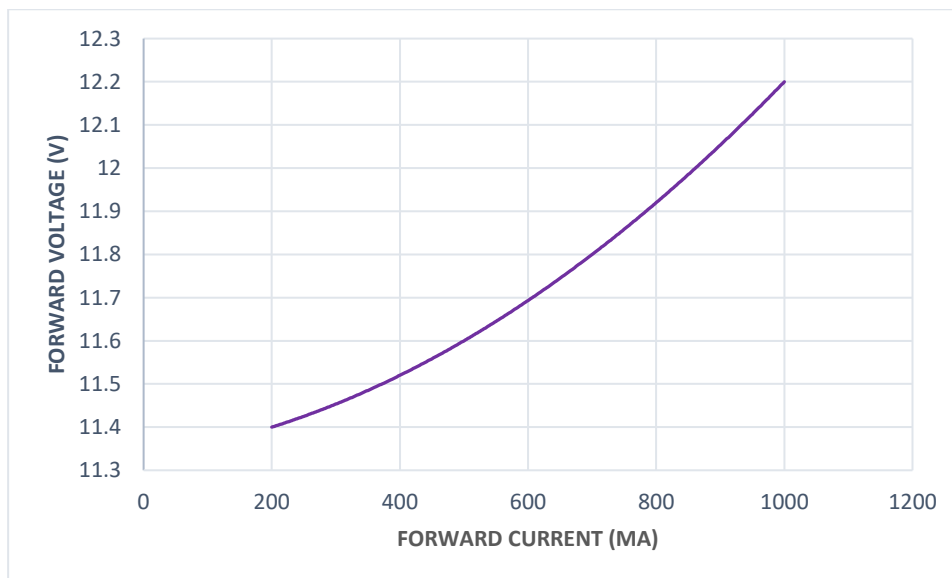
LED Series: CrayoLED™ H-Series (CLH-N3S)

TECHNICAL GRAPHS

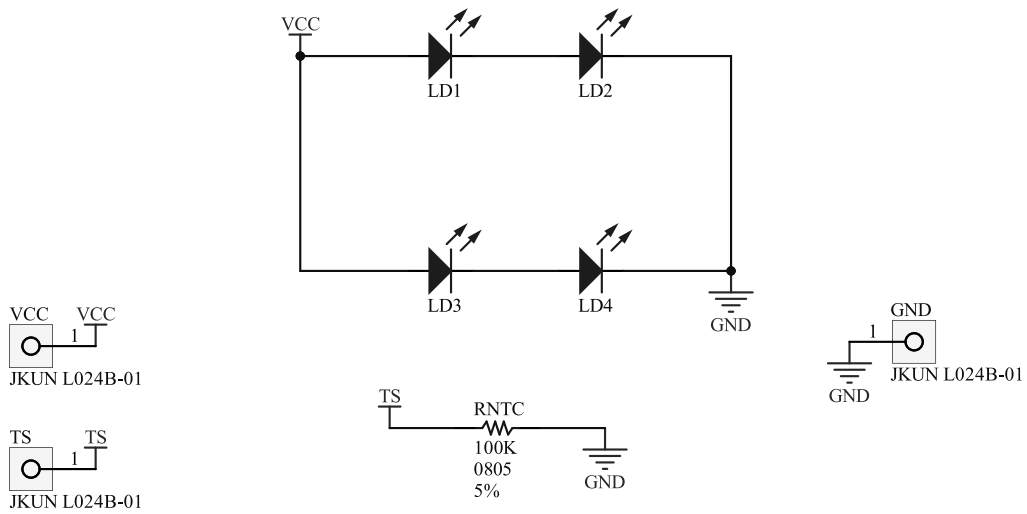
Radiant Power (mW) x Forward Current (mA) (T_J 25°C)



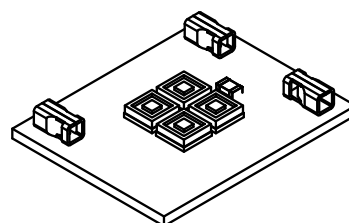
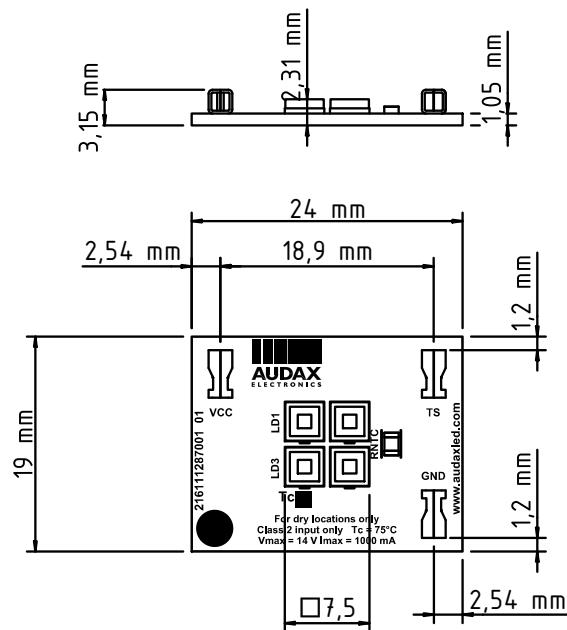
Forward Voltage (V) x Forward Current (mA) (T_J 25°C)



SCHEMATICS



MECHANICAL DRAWING



ISOMETRIC VIEW

