



US patent
US 11,338,049 B1

UDC3-006

UVC LED water disinfection reactor

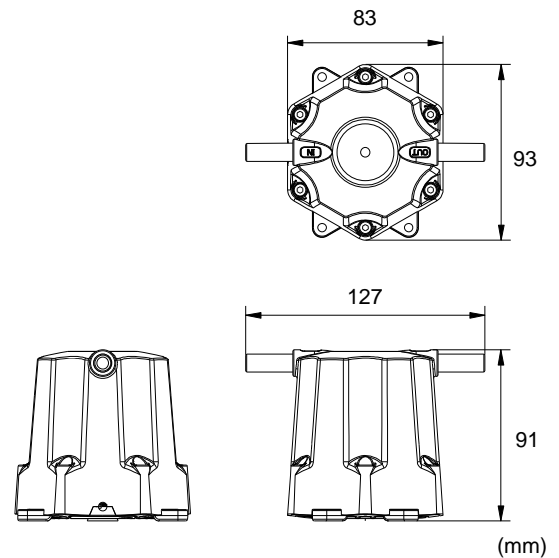
Hergy UVC LED water disinfection reactor harnesses the power of high-power UVC LEDs and a patented flow chamber with a high reflector to achieve highly effective disinfection. This cutting-edge reactor is designed for ease of installation in any system and offers a high flow rate that makes it ideal for a wide range of applications in medical, industrial, and commercial settings.

Specifications

Input	12 ~ 24 Vdc	
Power	15.5 W @ 12 Vdc, 14.5 W @ 24 Vdc	
LED wavelength	275 nm	
Flow rate	6.0 L/min	1.59 gal/min
Max pressure	100 psi	6.9 bar
UV dose delivery	32 mJ/cm ²	
Water connections	3/8" OD tube	
Length	127 mm	5.00 in
Width	93 mm	3.66 in
Height	91 mm	3.58 in
Operating water temperature	0 ~ 40°C	32 ~ 104°F
Operating ambient temperature	0 ~ 35°C	32 ~ 95°F

Features

- Compact size
- Extreme power saving
- Physical sanitization & chemical-free

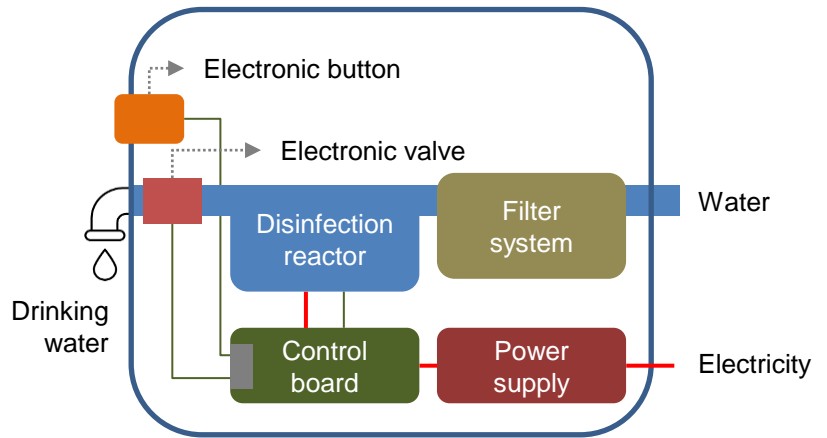


Accessories

Our water disinfection reactor can be easily integrated into your existing system, and to make the process even smoother, we also offer flow sensors and control units. By providing these additional components, we can reduce your design effort and help you achieve optimal results with minimal hassle.

Layout & Applications

The water disinfection reactor can be easily integrated into your system with the help of an electronic button and valve. This streamlined process enables effortless operation and control, making it an ideal solution for a wide range of applications.



The water disinfection reactor can be seamlessly integrated into your system with the help of a faucet and other accessories, including a flow switch and control board. This comprehensive solution offers a convenient and user-friendly interface, making it an excellent choice for a wide variety of applications.

